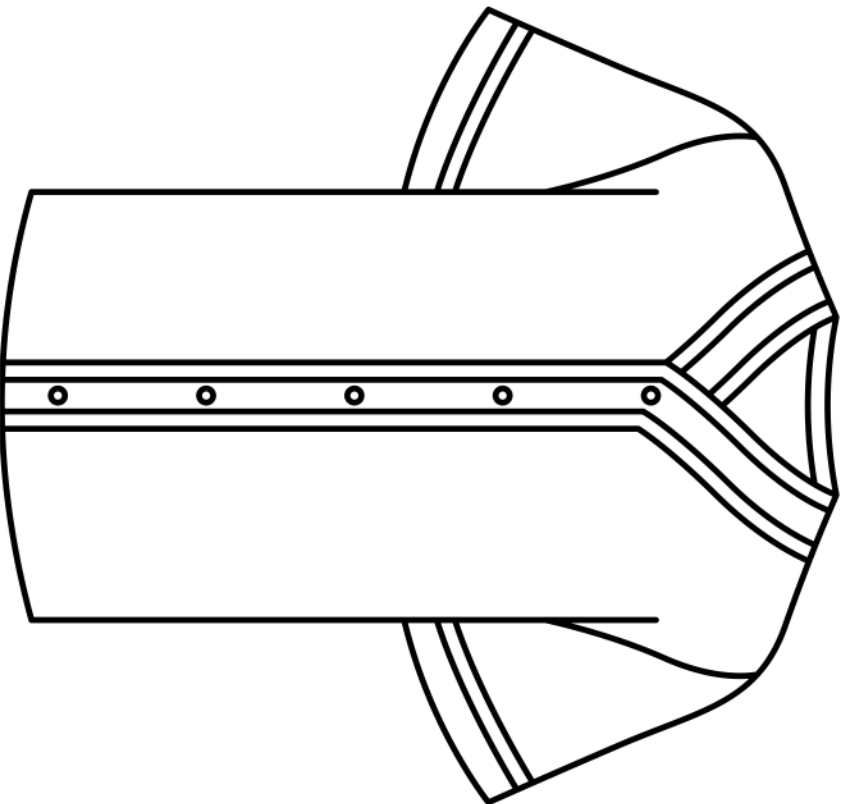


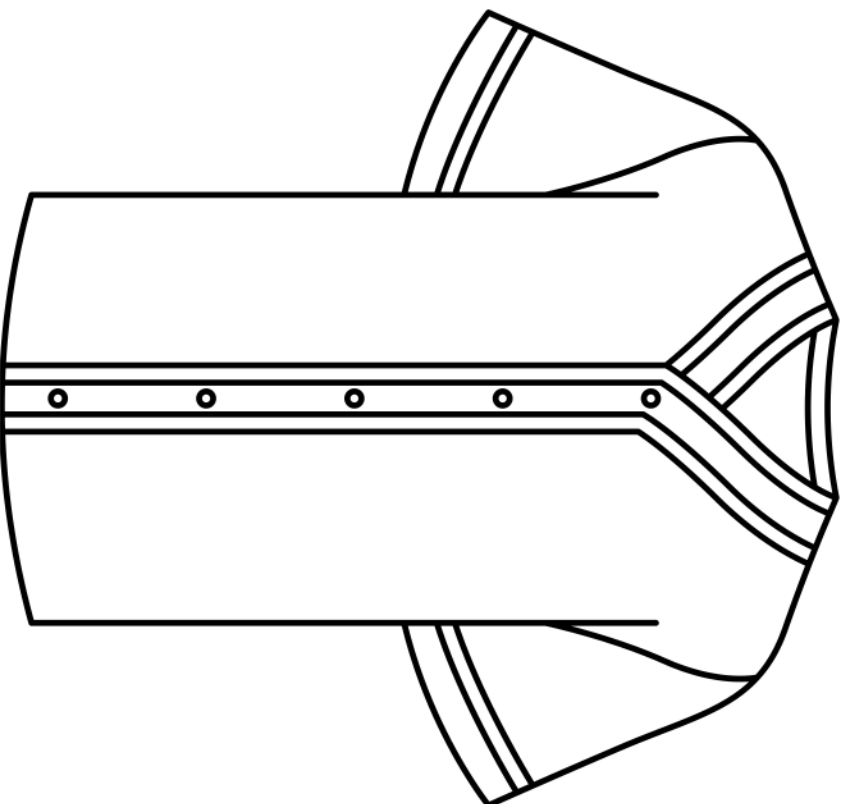
Decorate the baseball jersey.



Name: _____

Date: _____

Decorate the baseball jersey.



Name: _____

Date: _____